

CANCAMO DE TRANSPORTE (TRANSPORT HOOK)

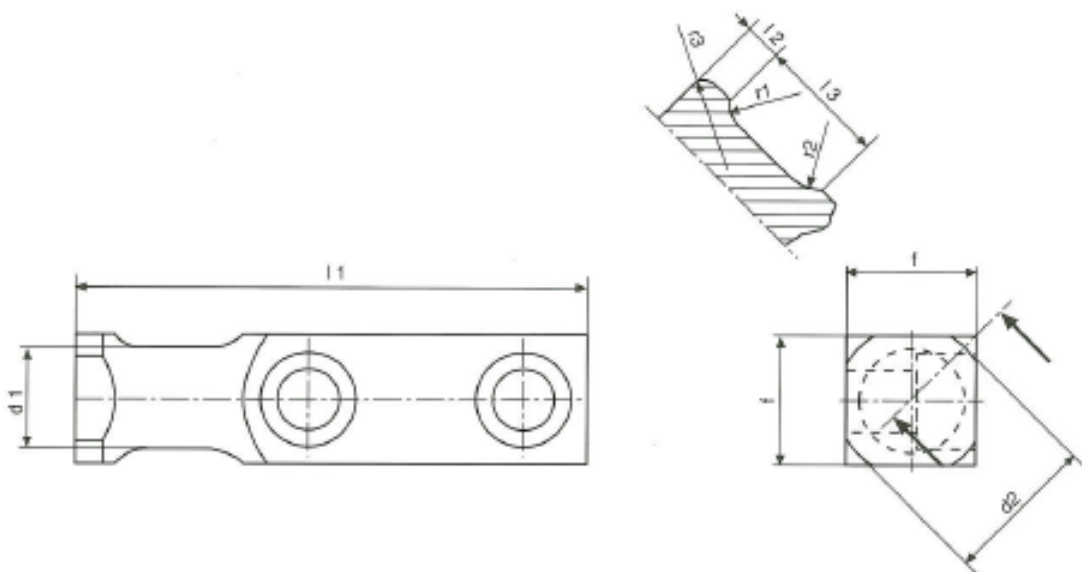
5734

MATERIAL: (C-45)
FORMA DE PEDIDO: 5734 - REF.

MATERIAL: (C-45)
HOW TO ORDER: 5734 - REF.



Auoi
39D 876



REF.	Carga Weight (Kg)	d1	d2	l1	l2	l3	r1	r2	r3	f	h	
39D 876	J10	640	16	24	80	6	20	6	10	3	20	6
	J11	1280	20	30	90	8	25	8	12		25	8
	J12	2500	25	40	100		30	10	15		35	10
	J13	4000	32	50	120	40	12,5		20	40	50	12
	J14	6400	40	60	140	10		12	25	5	60	14
	J15	10000	50	70	160	12	50		15		25	80
	J16	16000	63	90	200	15	65	20	35	100	18	
	J17	25000	80	110	250		80	25	40	120	20	
J18	40000	100	130	300								